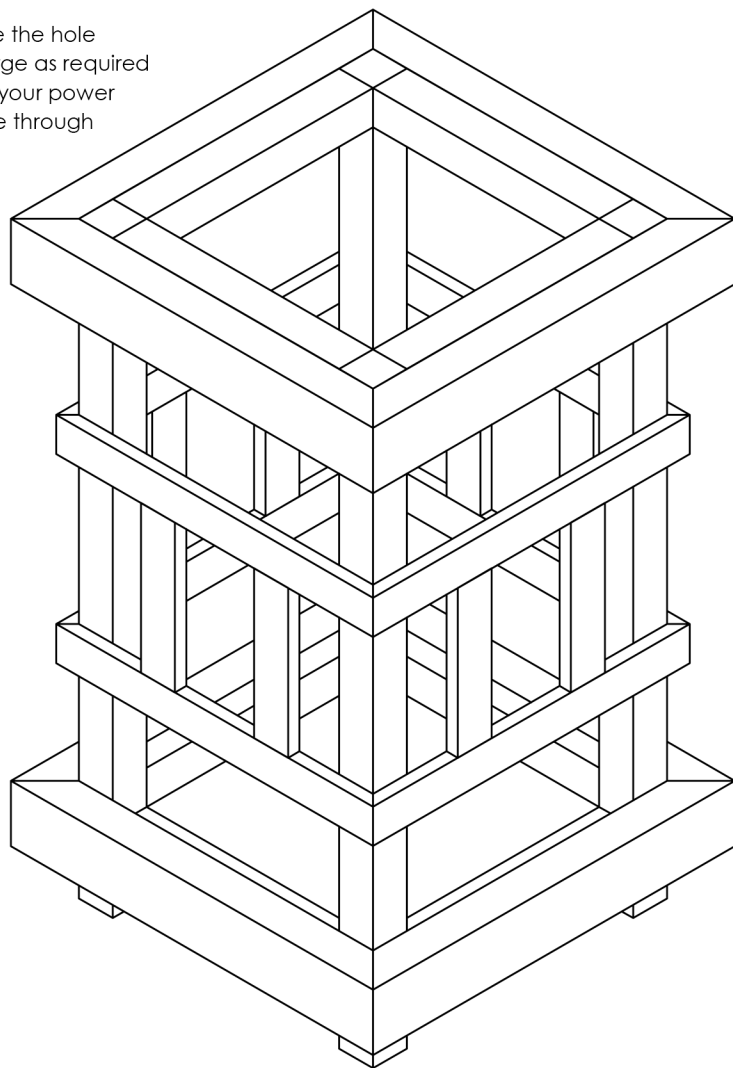
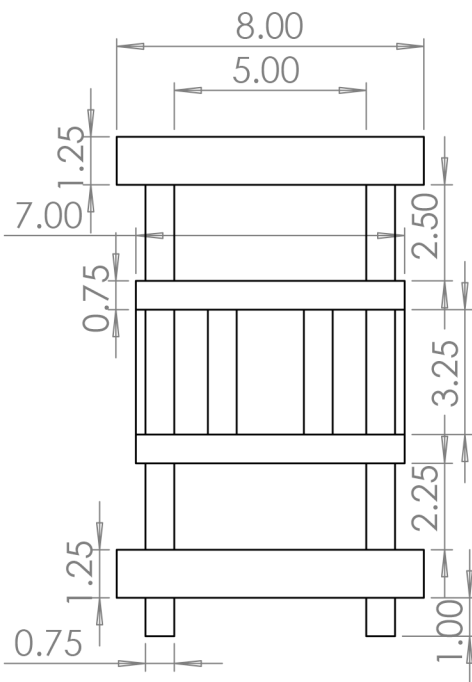


Make the hole as large as required to fit your power cable through



Designed By:

Zachary Goode

Japanese Style Desk Lamp